

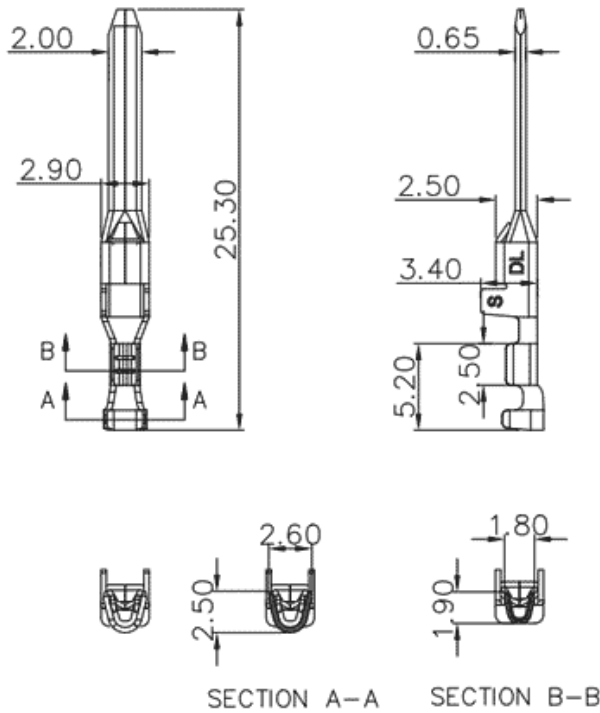


Product Type: Direct crimp connectors

Product Name:DL508H30M-03-0200

Product Description: Crosssection:0.08-0.2mm²/28-24AWG Ratedcurrent:4A CE

Product Size



Parameters

| | |
|---|-------------------|
| <input checked="" type="checkbox"/> SUPU ID | DL508H30M-03-0200 |
| <input checked="" type="checkbox"/> Pitch | - |
| <input checked="" type="checkbox"/> Number of levels | - |
| <input checked="" type="checkbox"/> Number of connections | - |

| | |
|---|---------------|
| <input checked="" type="checkbox"/> Connection method | Cold pressing |
| <input checked="" type="checkbox"/> Protection Level | IP20 |
| <input checked="" type="checkbox"/> Operating temperature range | -40~+105°C |
| <input checked="" type="checkbox"/> Insulation material | - |
| <input checked="" type="checkbox"/> Insulation material group | - |
| <input checked="" type="checkbox"/> Contact material | Copper alloy |
| <input checked="" type="checkbox"/> Contact plating | Sn,Plated |

Technical data

| | |
|---|-------------------------|
| <input checked="" type="checkbox"/> IEC Rated Current | 4A |
| <input checked="" type="checkbox"/> IEC Rated Voltage | - |
| <input checked="" type="checkbox"/> Overvoltage category | III/III/II |
| <input checked="" type="checkbox"/> Degree of pollution | - |
| <input checked="" type="checkbox"/> Rated impulse voltage | - |
| <input checked="" type="checkbox"/> UL Rated Current | 4A |
| <input checked="" type="checkbox"/> UL Rated Voltage | - |
| <input checked="" type="checkbox"/> Conductor cross section rigid | - |
| <input checked="" type="checkbox"/> Conductor cross section flexible | 0.08-0.2mm ² |
| <input checked="" type="checkbox"/> Conductor cross section flexible,with furrule | - |
| <input checked="" type="checkbox"/> Locking screw Specification | - |
| <input checked="" type="checkbox"/> Locking screw torque | - |
| <input checked="" type="checkbox"/> Fixed Screw Specification | - |
| <input checked="" type="checkbox"/> 固定螺钉扭矩 | - |
| <input checked="" type="checkbox"/> Stripping length | 4-5mm |

Use group

-

Rated cross section

28-24AWG

Commercial data

Order No

DL508H30M-03-0200

Ningbo SUPU Electronics Co., Ltd.

Address: No. 150, Xinxing 4th Road, High-tech Industrial Development Zone,
Cixi City, Zhejiang Province, China

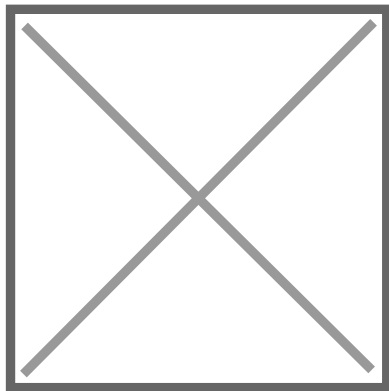
Zip code: 315303

Switchboard: +86 574-63288158

Fax: +86 574-63288170

E-mail: supucontact@supu.cn

Service Hotline: 400-626-6336



Wechat

Date:2026-05-03 19:36

The right to modify data belongs to SUPU.