



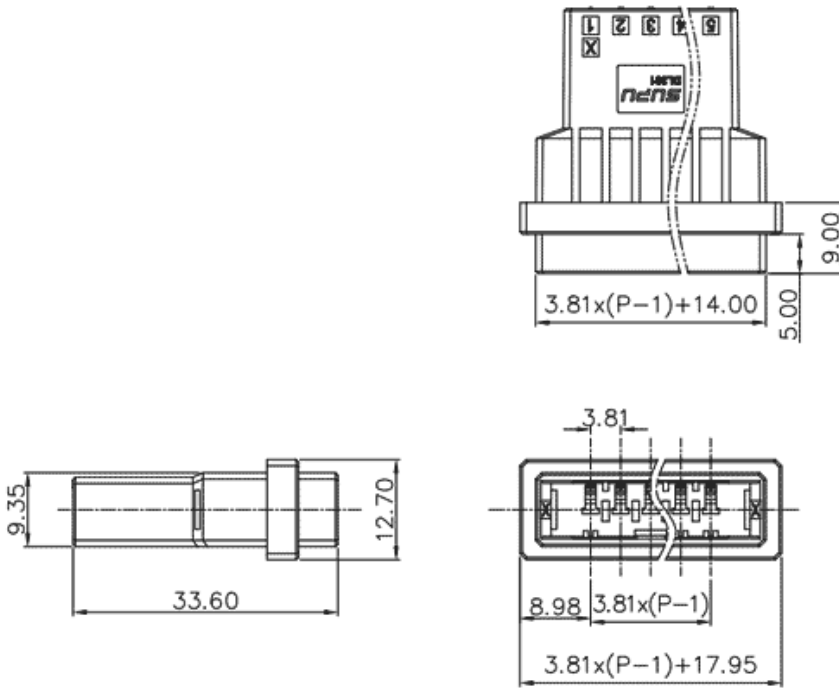
Product Type: Direct crimp connectors

Product Name:DL381H1XXF-BK-0X10

Product Description: Pitch:3.81mm

RatedVoltage : 250V Single-level CE

## Product Size



## Parameters

<input checked="" type="checkbox"/> SUPU ID	DL381H1XXF-BK-0X10
<input checked="" type="checkbox"/> Pitch	3.81
<input checked="" type="checkbox"/> Number of levels	Single layer
<input checked="" type="checkbox"/> Number of connections	XX

<input type="checkbox"/> Connection method	Cold pressing
<input type="checkbox"/> Protection Level	IP20
<input type="checkbox"/> Operating temperature range	-40~+105°C
<input type="checkbox"/> Insulation material	PBT
<input type="checkbox"/> Insulation material group	II
<input type="checkbox"/> Contact material	-
<input type="checkbox"/> Contact plating	-

## Technical data

<input type="checkbox"/> IEC Rated Current	-
<input type="checkbox"/> IEC Rated Voltage	160V
<input type="checkbox"/> Overvoltage category	III/III/ II
<input type="checkbox"/> Degree of pollution	3 2 2
<input type="checkbox"/> Rated impulse voltage	2.5KV 2.5KV 2.5KV
<input type="checkbox"/> UL Rated Current	-
<input type="checkbox"/> UL Rated Voltage	250V
<input type="checkbox"/> Conductor cross section rigid	-
<input type="checkbox"/> Conductor cross section flexible	-
<input type="checkbox"/> Conductor cross section flexible,with ferrule	-
<input type="checkbox"/> Locking screw Specification	-
<input type="checkbox"/> Locking screw torque	-
<input type="checkbox"/> Fixed Screw Specification	-
<input type="checkbox"/> 固定螺钉扭矩	-
<input type="checkbox"/> Stripping length	-

Use group -

Rated cross section -

## Commercial data

Order No

DL381H1XXF-BK-0X10

### Ningbo SUPU Electronics Co., Ltd.

Address: No. 150, Xinxing 4th Road, High-tech Industrial Development Zone,  
Cixi City, Zhejiang Province, China

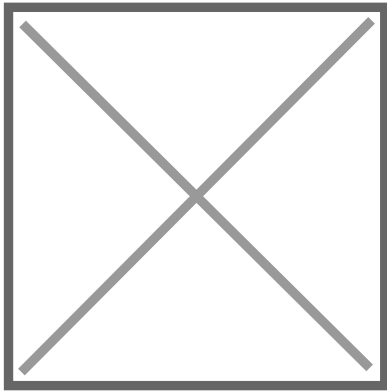
Zip code: 315303

Switchboard: +86 574-63288158

Fax: +86 574-63288170

E-mail: [supucontact@supu.cn](mailto:supucontact@supu.cn)

Service Hotline: 400-626-6336



Wechat

Date:2026-05-03 22:27

The right to modify data belongs to SUPU.