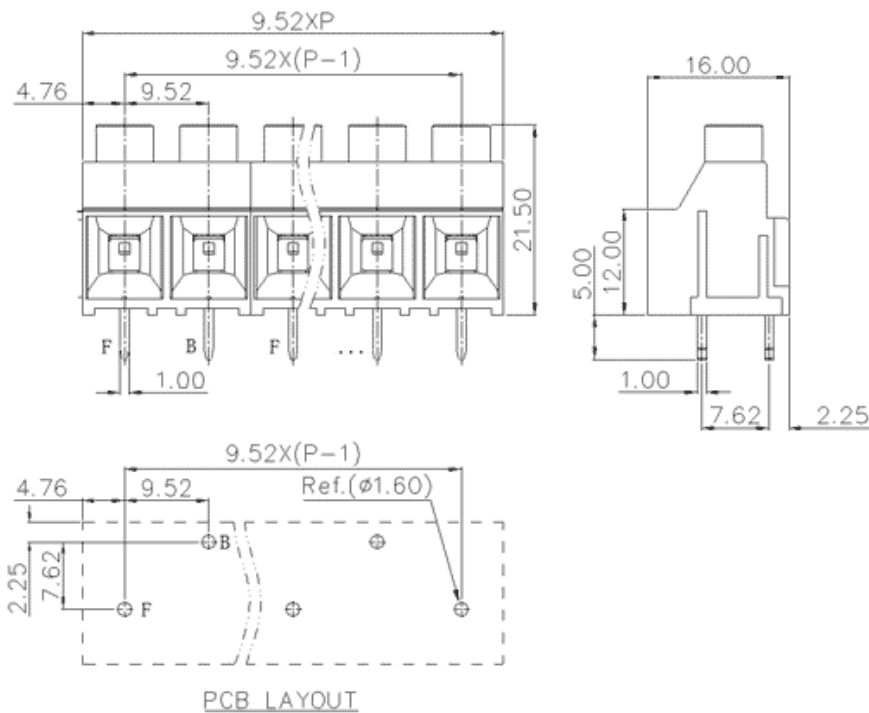


Product Type: Fixed terminal

Product Name:MC-TH-F9.52H06C-0001

Product Description: Pitch:9.52mm Rated Voltage : 1000V Rated Current:32A Connection method : Screw connection colour : customizable

Product Size



Parameters

SUPU ID	MC-TH-F9.52H06C-0001
Pitch	9.52
Number of levels	Single layer
Number of connections	6

☞ Connection method	Screw connection
☞ Protection Level	IP20
☞ Operating temperature range	-40~+105°C
☞ Insulation material	PA66
☞ Insulation material group	I
☞ Contact material	Copper alloy
☞ Contact plating	Sn,Plated
☞ Color	Green/Black/Blue/Grey/Orange/Red

Technical data

☞ IEC Rated Current	32A
☞ IEC Rated Voltage	1000V
☞ Overvoltage category	III/III/ II
☞ Degree of pollution	3 2 2
☞ Rated impulse voltage	6.0KV 6.0KV 6.0KV
☞ UL Rated Current	30A 30A 5A
☞ UL Rated Voltage	300V 300V 600V
☞ Conductor cross section rigid	0.2-6.0mm ²
☞ Conductor cross section flexible	0.2-6.0mm ²
☞ Conductor cross section flexible,with ferrule	0.2-6.0mm ²
☞ Locking screw Specification	M3
☞ Locking screw torque	0.5-0.6N.m
☞ Fixed Screw Specification	-
☞ Stripping length	8-9mm

Order No

MC-TH-F9.52H06C-0001

Ningbo SUPU Electronics Co., Ltd.

Address: No. 150, Xinxing 4th Road, High-tech Industrial Development Zone,
Cixi City, Zhejiang Province, China

Zip code: 315303

Switchboard: +86 574-63288158

Fax: +86 574-63288170

E-mail:supucontact@supu.cn

Service Hotline: 400-626-6336



Wechat