



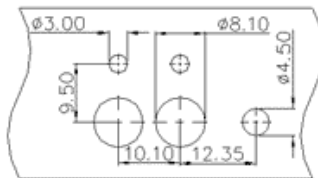
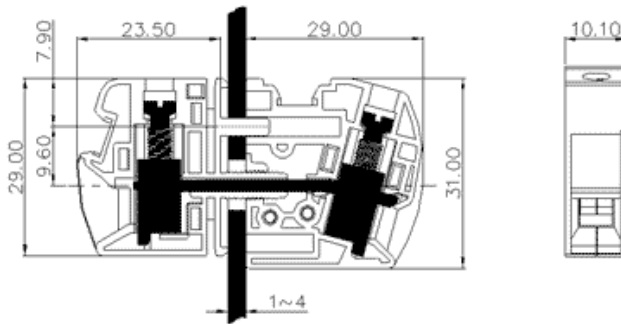
Product Type: Feed-through terminal

## Product Name: SCWH10

Product Description: Pitch:10mm Rated

Voltage : 500V Rated Current:76A colour : Light Gray

### Product Size



钻孔图  
For a drilling diagram

### Parameters

☞ SUPU ID	SCWH10
☞ Number of connections	1
☞ Connection method	Screw connection
☞ Protection Level	IP20

☞ Operating temperature range	-40~+105°C
☞ Insulation material	PA66
☞ Insulation material group	I
☞ Contact material	Copper alloy
☞ Contact plating	Sn,Plated

## Commercial data

☞ Order No	SCWH10
------------	--------

### Ningbo SUPU Electronics Co., Ltd.

Address: No. 150, Xinxing 4th Road, High-tech Industrial Development Zone,

Cixi City, Zhejiang Province, China

Zip code: 315303

Switchboard: +86 574-63288158

Fax: +86 574-63288170

E-mail:supucontact@supu.cn

Service Hotline: 400-626-6336



Wechat