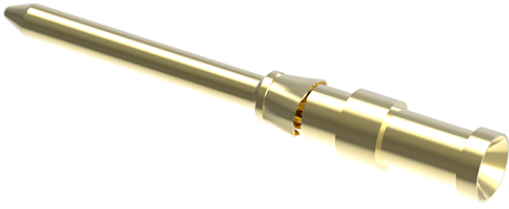


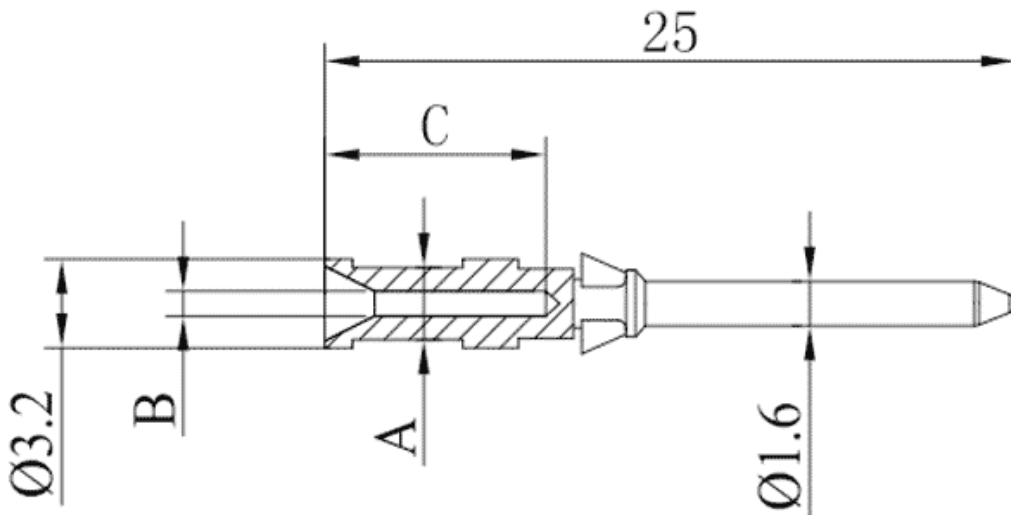
Product Type: Heavy-duty connector pins

**Product Name:SCGM-010-0.5**

Product Description: 10A gold plated, Male, compatible with 0.5mm<sup>2</sup>



**Product Size**



**Parameters**

⌘ SUPU ID	SCGM-010-0.5
⌘ Operating temperature range	-40°C~+125°C
⌘ Category	cold-pressed pin male terminal
⌘ Connection method	Crimp terminal

☞ Mechanical endurance

≥500

## Technical data

☞ IEC Rated Current

10A

☞ Contact/surface material

Hard-gold Plated

☞ Pin Material

Copper Alloy

☞ Contact resistance

≤3mΩ

☞ Wire Specification

0.5mm<sup>2</sup>/20AWG

## Commercial data

☞ Order No

SCGM-010-0.5

☞ Packing unit

PCS

☞ Minimum order quantity

1

## Ningbo SUPU Electronics Co., Ltd.

Address: No. 150, Xinxing 4th Road, High-tech Industrial Development Zone,  
Cixi City, Zhejiang Province, China

Zip code: 315303

Switchboard: +86 574-63288158

Fax: +86 574-63288170

E-mail:supucontact@supu.cn

Service Hotline: 400-626-6336



Wechat

---

Date:2026-06-25 20:26

The right to modify data belongs to SUPU.