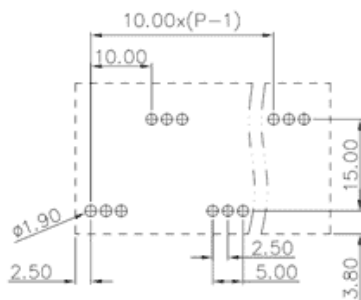


Product Type: Fixed terminal

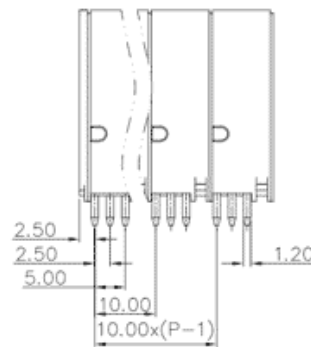
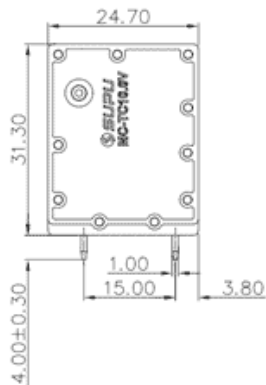
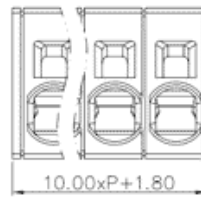
## Product Name:MC-TC-F10.0V03P-0001

Product Description: Pitch:10.0mm Rated Voltage : 1000V Rated Current:76A Connection method : Push in connection colour : customizable

### Product Size



PCB LAYOUT



Ningbo SUPU Electronics Co., Ltd.

Address: No. 150, Xinxing 4th Road, High-tech Industrial Development Zone,

Cixi City, Zhejiang Province, China

Zip code: 315303

Switchboard: +86 574-63288158

Ningbo SUPU Electronics Co., Ltd.

Fax: +86 574-63288170

E-mail:supucontact@supu.cn

Service Hotline: 400-626-6336



Wechat

---

Date:2026-06-28 09:49

The right to modify data belongs to SUPU.