

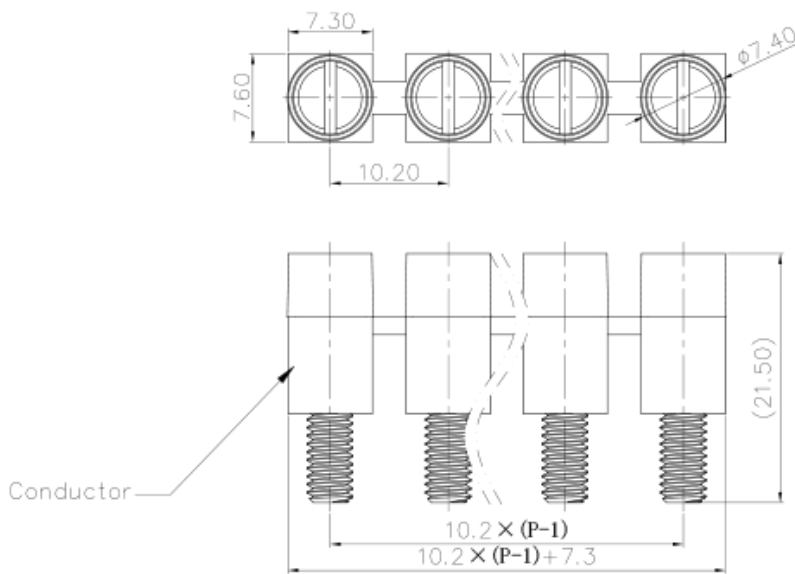


Product Type: Accessories

## Product Name:3103XX

Product Description: Fixed screw jumper,pitch:10.2mm,suitable for SP310 series

### Product Size



### Parameters

☞ SUPU ID	3103XX
☞ Pitch	10.2mm
☞ Insulation material	PA66
☞ Insulation material group	I

☞ Ambient temperature (operation)	-40°C~105°C
☞ Ambient temperature (assembly)	-5°C~70°C
☞ Ambient temperature (storage)	-25°C~60°C
☞ Permissible humidity (storage/transport)	30%~70%

## Commercial data

☞ Order No	3103XX
------------	--------

### Ningbo SUPU Electronics Co., Ltd.

Address: No. 150, Xinxing 4th Road, High-tech Industrial Development Zone,  
Cixi City, Zhejiang Province, China

Zip code: 315303

Switchboard: +86 574-63288158

Fax: +86 574-63288170

E-mail:supucontact@supu.cn

Service Hotline: 400-626-6336



Wechat